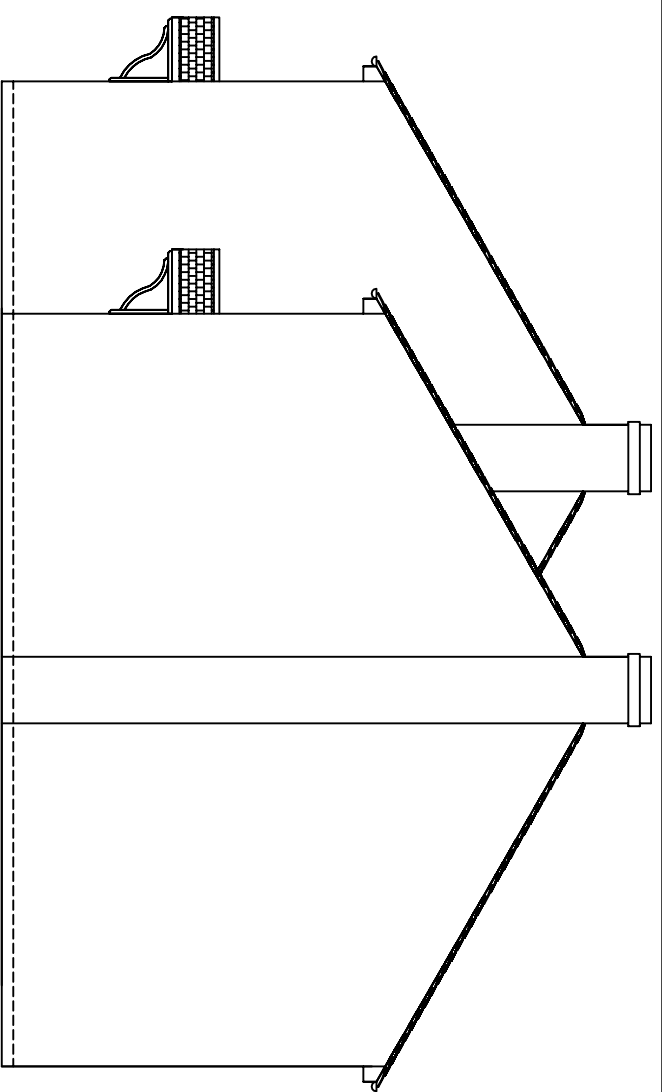
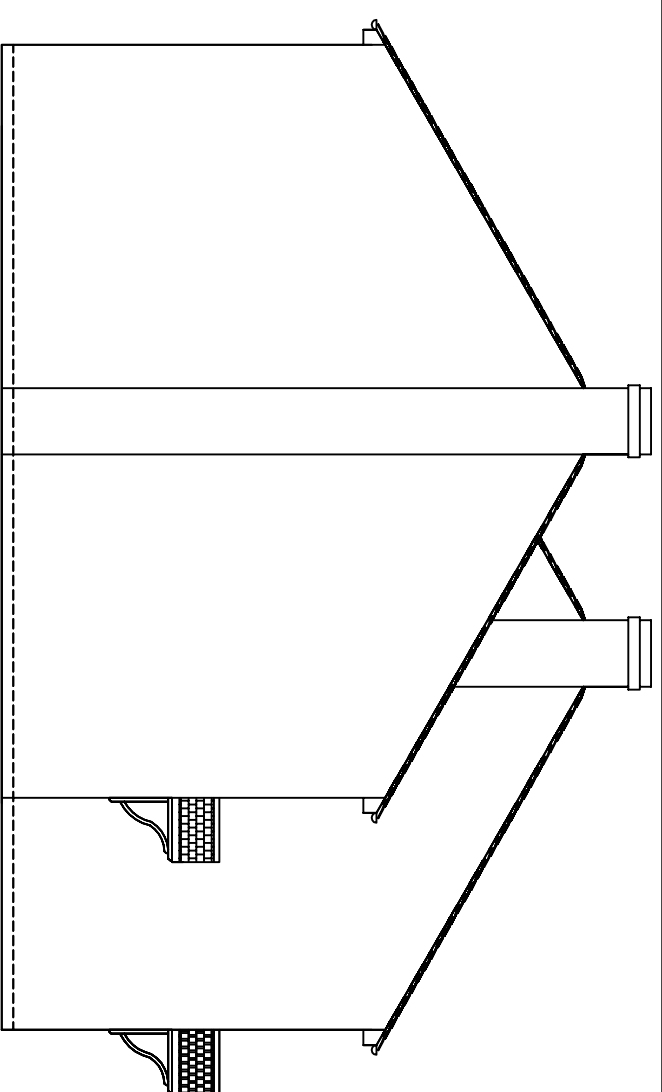


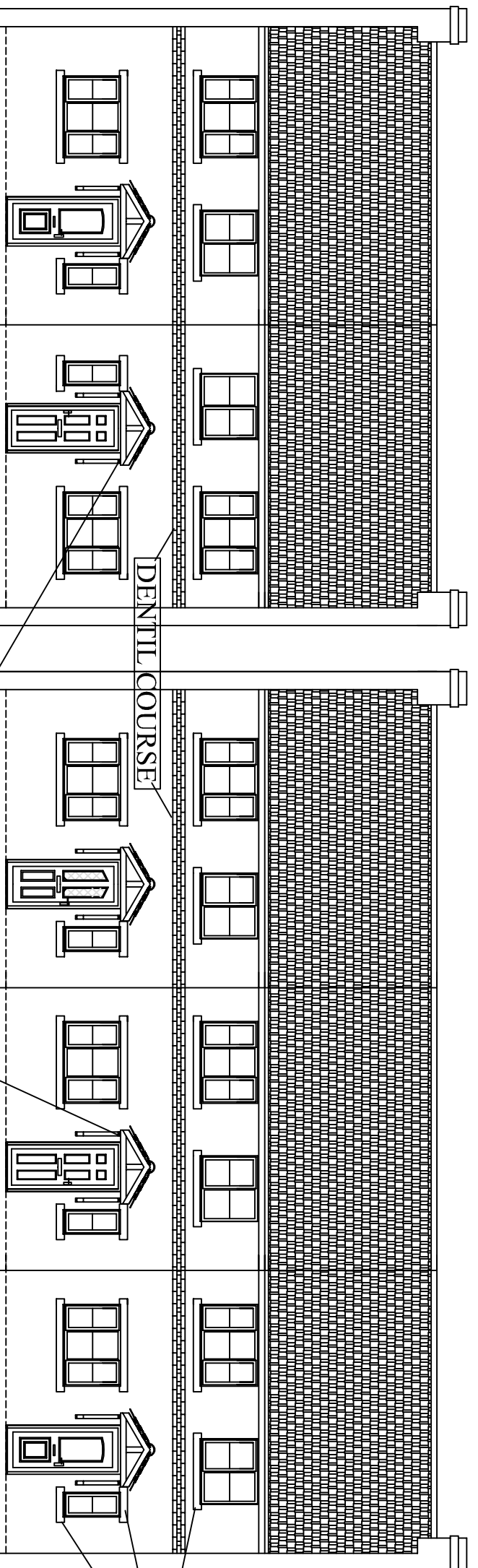
# PROPOSED



PROPOSED NORTH ELEVATION



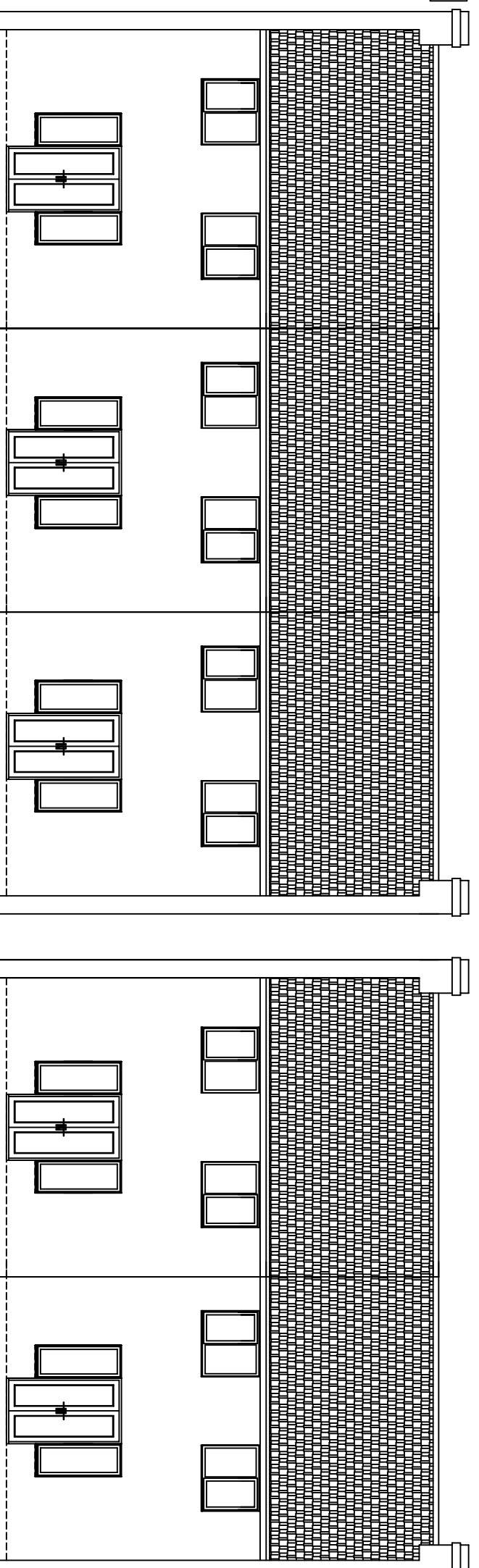
PROPOSED SOUTH ELEVATION



PROPOSED EAST ELEVATION

GABLED ROOF CANOPIES

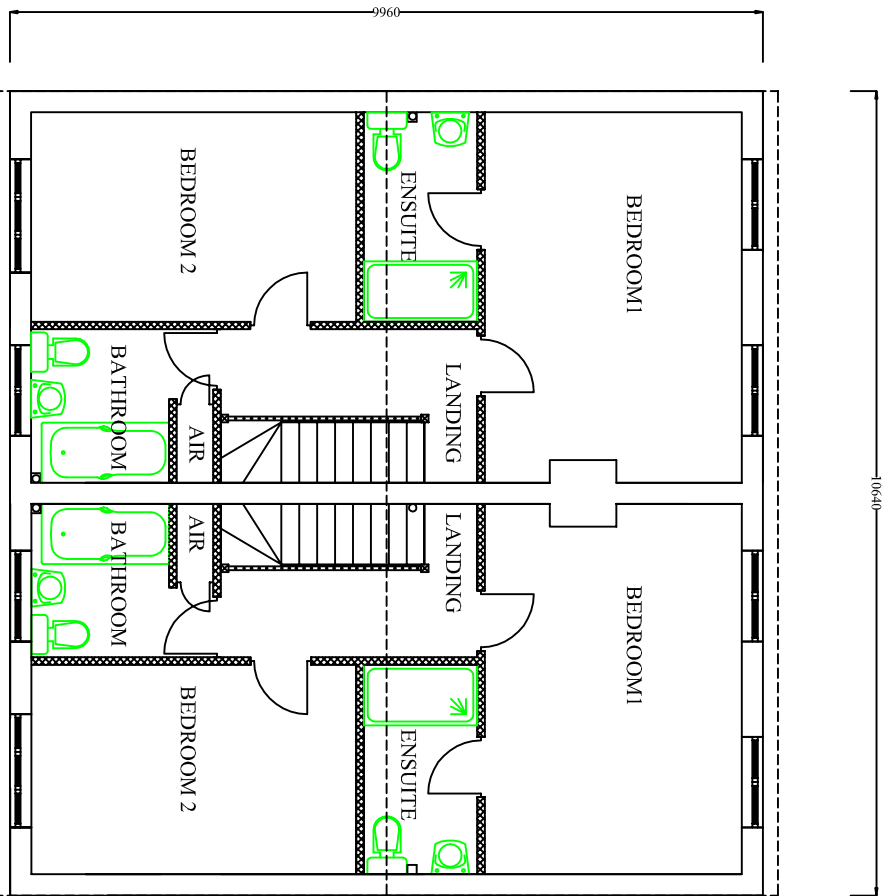
STONE CILLS & HEADER



PROPOSED WEST ELEVATION

## REVISION D 31/12/09

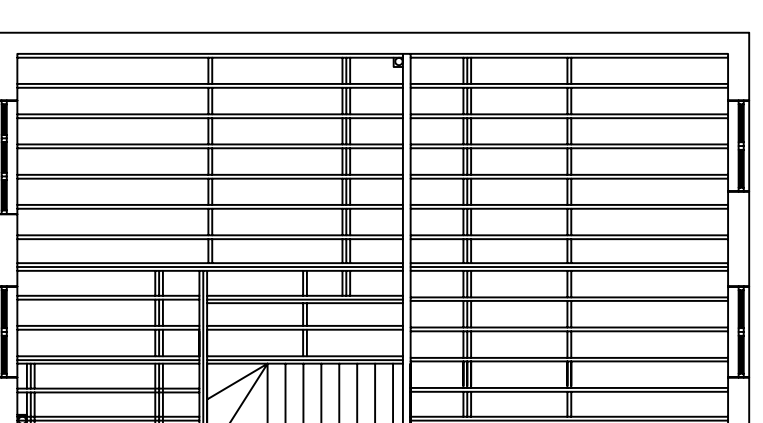
PROPOSED FIRST FLOOR PLAN VIEW



10646



18230



PROPOSED FIRST FLOOR JOIST PLAN VIEW

THE PLANMAN OWNS THE COPYRIGHT OF THIS DRAWING. UNAUTHORISED, PARTIAL OR COMPLETE REPRODUCTION OF THIS DRAWING IN EITHER 2 OR 3 DIMENSIONAL FORM MAY RESULT IN LEGAL ACTION BEING TAKEN.

CLIENT:  
MR M BUTTERY & MR D BUTTERY

ADDRESS:  
118 THE STABLES  
WYNYARD PARK  
BILLINGHAM  
TS22 5QY

SITE ADDRESS:  
118 THE STABLES  
NOT MANOR PLACE  
OFF BRISOPTON ROAD WEST  
STOCKTON ON TEES

LOCAL AUTHORITY:  
STOCKTON ON TEES BOROUGH  
COUNCIL  
TECHNICAL SERVICES  
DEPARTMENT  
PLANNING DIVISION  
GLUCKESHER HOUSE  
STOCKTON ROAD  
STOCKTON ON TEES  
TS16 1TW

WIDTH OF PROPOSED  
DEVELOPMENT: 26180MM  
PROJECTION OF PROPOSED  
DEVELOPMENT: 12959MM  
EAVES HEIGHT OF PROPOSED  
DEVELOPMENT: 4958MM  
OVERALL HEIGHT OF PROPOSED  
DWELLINGS: 7958MM  
ROOF PITCH 30°

AGENT:  
STUART PINCHES  
THE PLANMAN  
8 DRYDEN CLOSE  
BILLINGHAM  
STOCKTON ON TEES  
TS23 3JT  
01642 874906  
spinch@gnlworld.com

DRAWING NO.: 2 OF 4

DATE: 03/09/09

SCALE: 1:100